



CDQ-T6A Miniature Ultrasonic Automatic Weather Instrument

For weather automation applications



Features

- No moving parts, no maintenance, can work in any altitude
- Strong corrosion resistant ability
- High sensitivity
- Low power consumption
- Light weight, long service life
- High-strength structural design
- Easy to install, all-weather measurement
- Strong resistance to harsh environment

CDQ-T6A miniature ultrasonic weather station is a fully digital detection, high-precision sensor, which is integrated by the principle of ultrasonic wind speed and direction sensor, high-precision digital temperature, humidity, pressure sensor, can accurately and quickly detect wind speed, wind direction, atmospheric temperature, atmospheric humidity and Atmospheric pressure, built-in signal processing unit can output corresponding signals according to user needs, high-strength structure design can work reliably in harsh climate environment, can be widely used in meteorology, ocean, environment, airport, port, laboratory, industry, agriculture and transportation, etc.

Typical installation locations

- Environmental monitoring
- Sea-going vessel
- Bridge & Tunnel
- Solar and wind power generation

Design structure

Common transmission methods include wired transmission (such as RS232, RS485, Ethernet, etc.) and wireless transmission (such as GPRS, WiFi, Bluetooth, LoRa, etc.). Data can be transferred to a local monitoring terminal (such as a computer, display screen, etc.) for real-time display and storage, and can also be transferred to a remote server or cloud platform for users to remotely access and analyze through the Internet.

Easy installation

Stay away from buildings, trees and other obstacles to ensure that the weather station can accurately measure wind direction and speed.

Avoid installation in low-lying areas to prevent water from affecting the normal operation of the weather station.

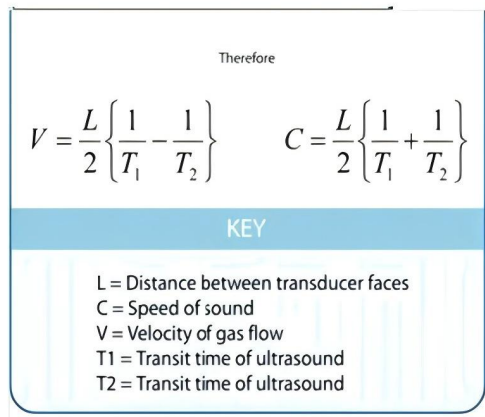
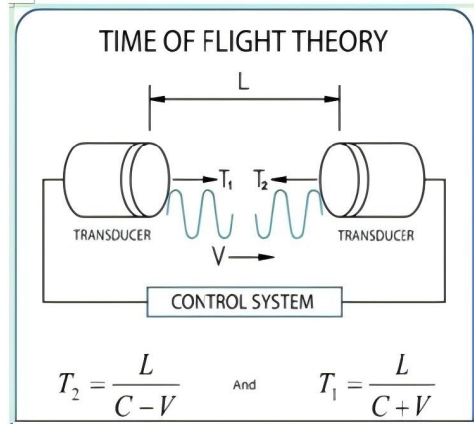
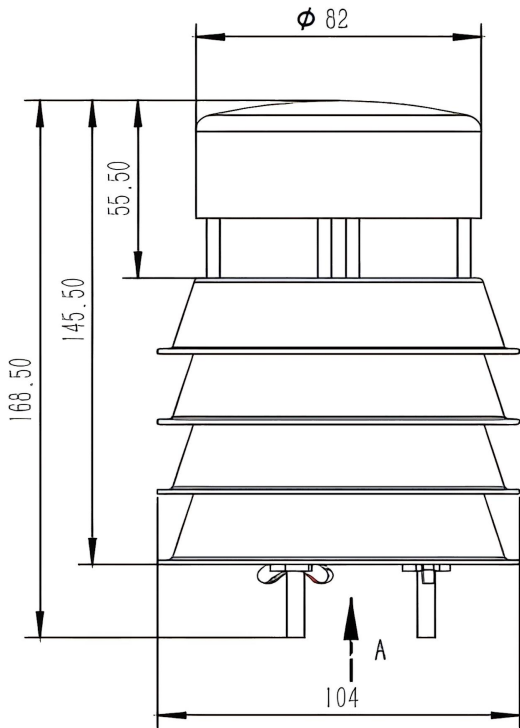
Choose a flat, stable surface to ensure that the weather station is securely installed

Reliable operation

The communication protocols of weather stations usually adopt international standards or industry standards, such as Modbus, TCP/IP, etc., which has high reliability and compatibility. The reliability of the communication protocol can ensure the accurate transmission and reception of meteorological data, and avoid data loss and error.

Dimensions

CDQ-T6A connector dimension



Installing



Technical data

Measurement performance, models CDQ -T6A

Measure item	Principle	Range	Resolution	Accuracy
Wind speed	Ultrasonic	0-40m/s	0.01m/s	±0.5+2%FS
Wind direction	Ultrasonic	0-359°	1°	±3°
Atmospheric temperature	MEMS	-40-+100℃	0.1℃	±0.5℃
Atmospheric humidity	MEMS	0-100%RH	0.1%RH	±3%
Atmospheric pressure	MEMS	100-1100hpa	0.1hpa	±1hpa
Supply		12-24VDC		
Output		RS485		
Communication Protocol		Modbus-rtu		
Power consumption		0.6W		
Operating temperature		-40-+80℃		
IP Rating		IP65		
Main material		ABS+ Aluminum alloy		

Model number	Type	Output	Special features
CDF-10A	Wind speed	Pulses(PNP) RS485 4-20MA 0-5V	Three cup plastic wind speed
CDF-11A	Wind direction	RS485 4-20MA 0-5V	Plastic wind direction sensor
CDF-20B	Combined Wind Speed & Direction	RS485 4-20MA 0-5V 0-10V	Integrated wind speed and direction
CDF-21A	Ultrasonic Wind Speed & Direction	RS232/RS485(Modbus/NMEA-0183), Voltage(0-5V),Current(4-20mA) optional	Ultrasonic principle
CDW-33A	Atmospheric Temperature, Humidity & Pressure	RS485	Shelter installation
CDQ-T6A	Miniature Ultrasonic Automatic Weather	RS485	Wind speed & direction temp & humidity & pressure
CDY-12A	Economical Tipping Bucket Rainfall	Pulses(@10kΩ&0.01uF),RS485	Diameter :φ200mm, height: 271mm
CDG-10B	Solar Radiation	0-5V,4-20mA,RS485	Spectral range:300~1100nm
CDG-11B	Pyranometer	0-20mV,RS485	Spectral range:300~3000nm Class one
CDG-12B	PAR sensor	0-5V 4-20mA RS485	Spectral range:400~700nm
CDG-13B	Ultraviolet(UV) Radiation	0-5V 0-10V 4-20mA RS485	Spectral range:280~400nm
CDG-14A	Illuminance Sensor	0-5V 0-10V 4-20mA RS485	Spectral range:380~780nm
CDG-17B	Scattering Radiometer	RS485	Spectral range:280~3000nm
CDQ-T6A	Miniature Ultrasonic Automatic Weather Instrument	RS485	Wind speed%direction Atmospheric temperature&humidity&pressure
CDQ-T0C	Automatic Weather Station	RS485 4G/WIFI/Ethernet	Wireless data transmission
CDQ-T1C	Automatic Integrated weather station	RS485 SDI-12	Multiparameter integration
CDQ-T8A	WIFI Weather Station	WIFI LCD display	7 in 1 weather station
CDQ-T9A	Plastic Weather Station	LCD display	7 in 1 weather station

Published by CODA | © CODA 2024



All rights reserved. Any logos and/or product names are trademarks of CODA or its individual partners. Any reproduction, transfer, distribution or storage of information contained in this document is prohibited. All specifications — technical included — are subject to change without notice.

Hunan Coda Electronic Tech Co.,Ltd

T:+86-0731-85117089 W:www.codasensor.com E:Molly@codasensor.com